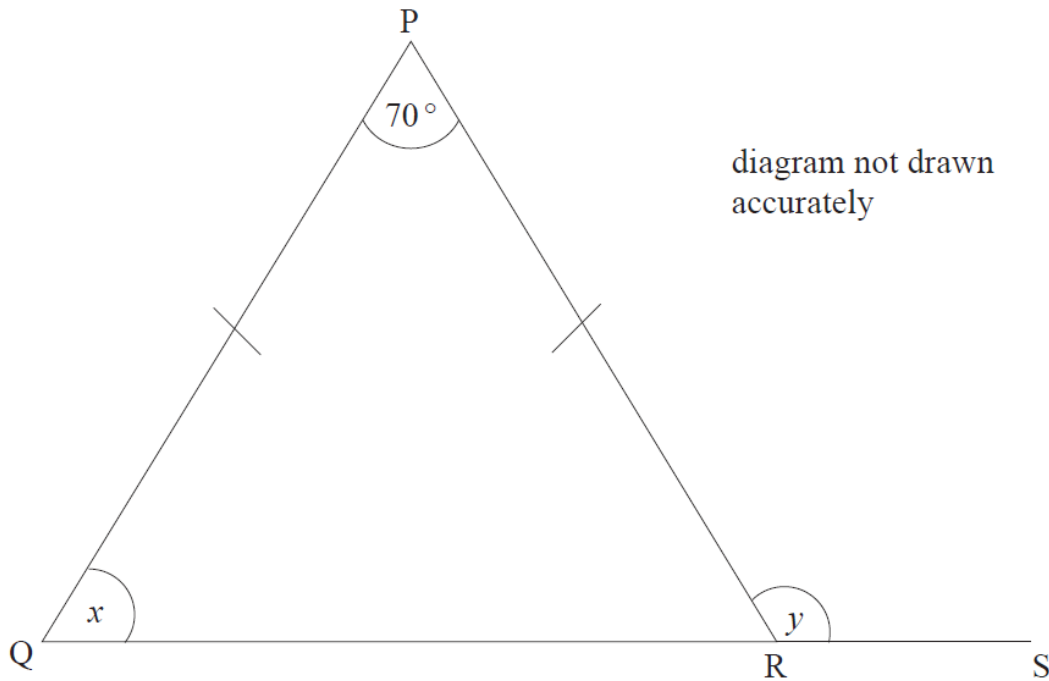


M3 = 27 days to go!

7



PQR is an isosceles triangle with $PQ = PR$.
QRS is a straight line.

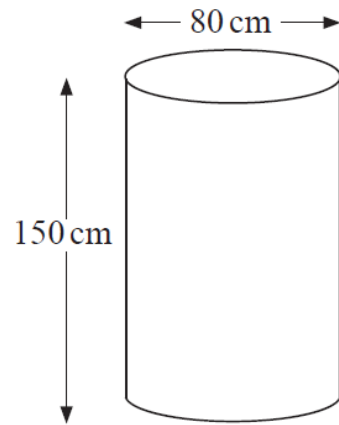
(a) Work out the size of the angle marked x .

Answer _____ ° [2]

(b) Work out the size of the angle marked y .

Answer _____ ° [1]

18 A cylindrical tank has a diameter of 80 cm and a height of 150 cm as shown.



Calculate the volume of water the tank can hold when full.

Give your answer correct to the nearest litre.

Answer _____ litres [4]