

M3 = 28 days to go!

(c)

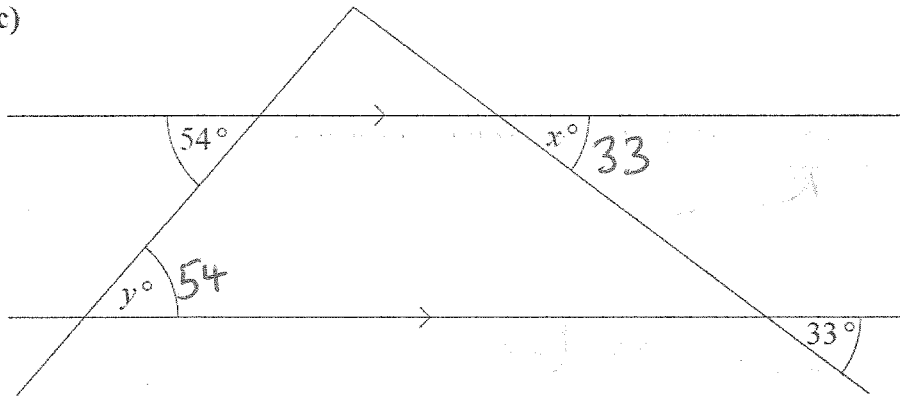


diagram not drawn accurately

Write down the values of x and y .

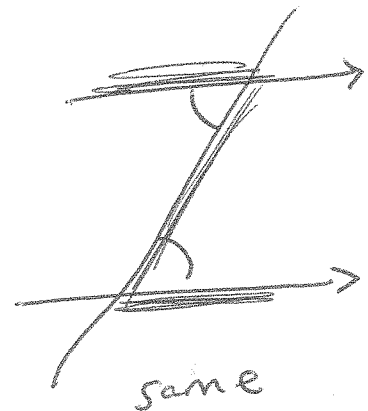
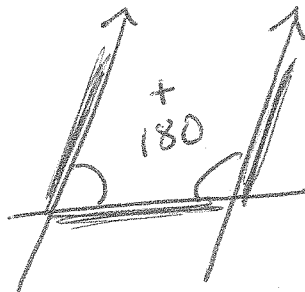
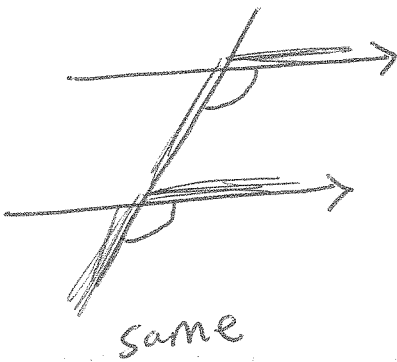
Answer $x = \underline{33}$ [1]

Answer $y = \underline{54}$ [1]

Remember

C I A
 F L Z
corresponding
interior
alternate

Learn the CIA names



if it looks the same
 it probably is!

19 Peter, John and Matthew are three brothers.

Peter is 10 years old.

John is x years old.

Matthew is a year younger than twice John's age. — Matthew $2x - 1$

The mean of their ages is 7 years.

Work out John's age.

so all ages add to 21
 \swarrow
 7×3

Peter	John	Matthew
10	x	$2x - 1$

21

$$10 + x + 2x - 1 = 21$$

$$3x + 9 = 21$$

$$\textcircled{-9} \quad \textcircled{-9}$$

$$3x = 12$$

$$\textcircled{\div 3} \quad \textcircled{\div 3}$$

$$x = 4$$

Answer _____ [4]

Check

Peter	John	Matthew
10	4	7

$$\text{Mean} = \frac{10 + 4 + 7}{3} = \frac{21}{3} = 7 \quad \checkmark$$