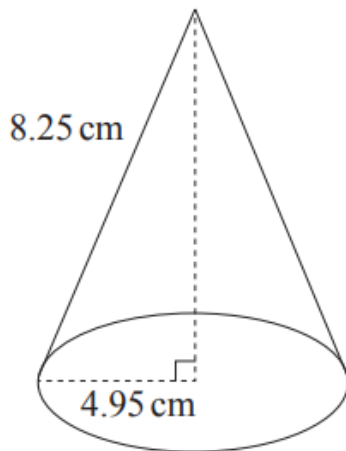


# M3 = 3 days to go!

26 A cone has a slant height of 8.25 cm and a radius of 4.95 cm.



Calculate the vertical height of the cone.

Answer \_\_\_\_\_ cm [3]

16 (a) Write an expression for the **total** cost in £ of  $x$  books at £3 each and  $y$  books at £7 each.

Answer £ \_\_\_\_\_ [2]

(b) Factorise

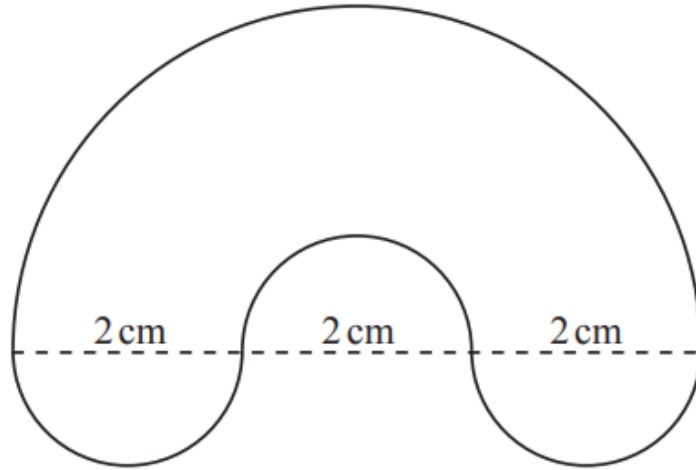
(i)  $5t + 35$

Answer \_\_\_\_\_ [1]

(ii)  $p^2 - 9p$

Answer \_\_\_\_\_ [1]

23 A shape with four semicircular edges is shown.



Calculate the perimeter of the shape.

Answer \_\_\_\_\_ cm [4]

9 The line  $L$  has equation  $y = -3x - 6$

This line crosses the  $y$  axis at the point  $A$  and the  $x$  axis at the point  $B$ .

(a) Write down the co-ordinates of  $A$ .

Answer ( \_\_\_\_\_ , \_\_\_\_\_ ) [1]