

M3 = 5 days to go!

23 A coat is priced £150

With 12% discount in a sale a profit of £7 is made.

What would the percentage profit be if the coat was sold at the full marked price?

Show all your working clearly.

$$12\% \text{ of } 150 = 18$$

Sale price £132 gives profit of £7

So cost price £125

If sold at £150 then profit is £25

$$\% \text{ profit} = \frac{25}{150} \times 100$$

Answer 20 % [5]

15

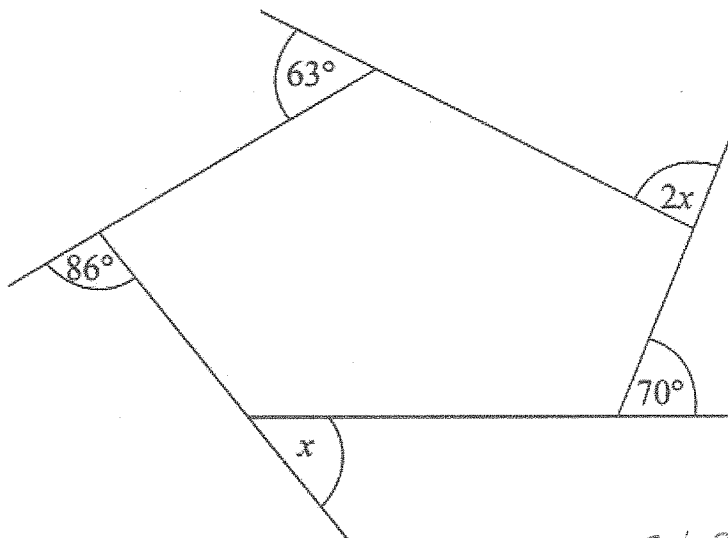


Diagram not drawn accurately

out side angles add to 360°

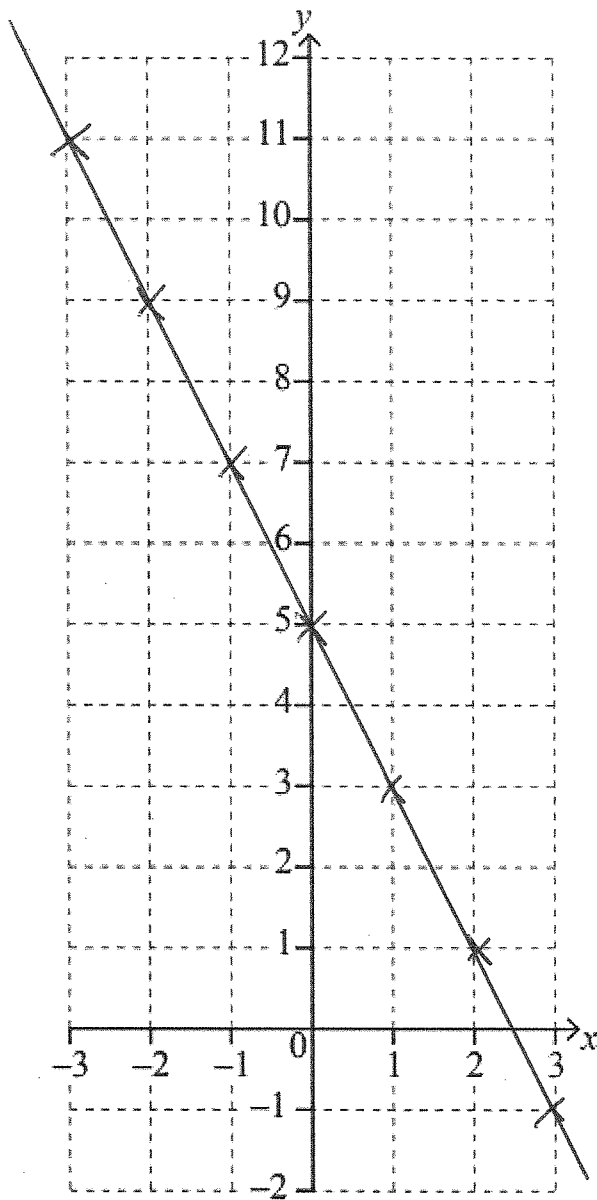
Work out the size of angle x in the diagram above.

$$86 + 63 + 2x + 70 + x = 360$$

$$219 + 3x = 360 \quad \text{Answer } x = \underline{47}^\circ [4]$$

$$3x = 141 \quad \text{Check it!}$$

10 Draw the graph of $y = 5 - 2x$ on the grid below.



Make a table for
x and y values

x	-3	-2	-1	0	1	2	3
y	11	9	7	5	3	1	-1

Should be a straight
line.

[3]