

# M7 = 25 days to go!

- 5 (a) Calculate the size of angle  $x$ .

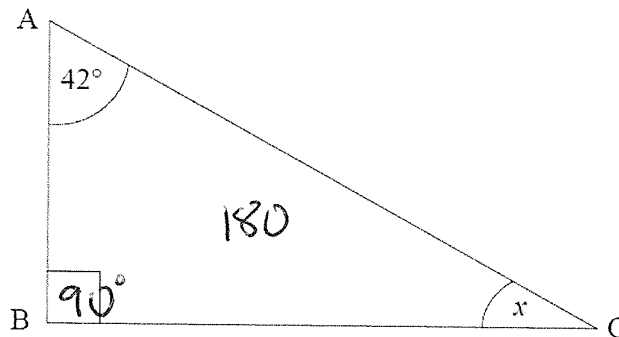


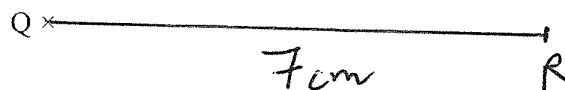
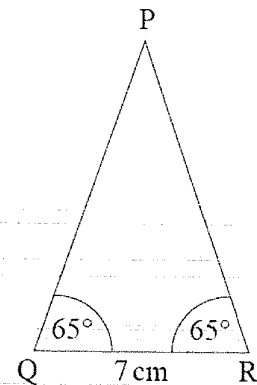
diagram not  
drawn accurately

$$x + 42 + 90 = 180$$

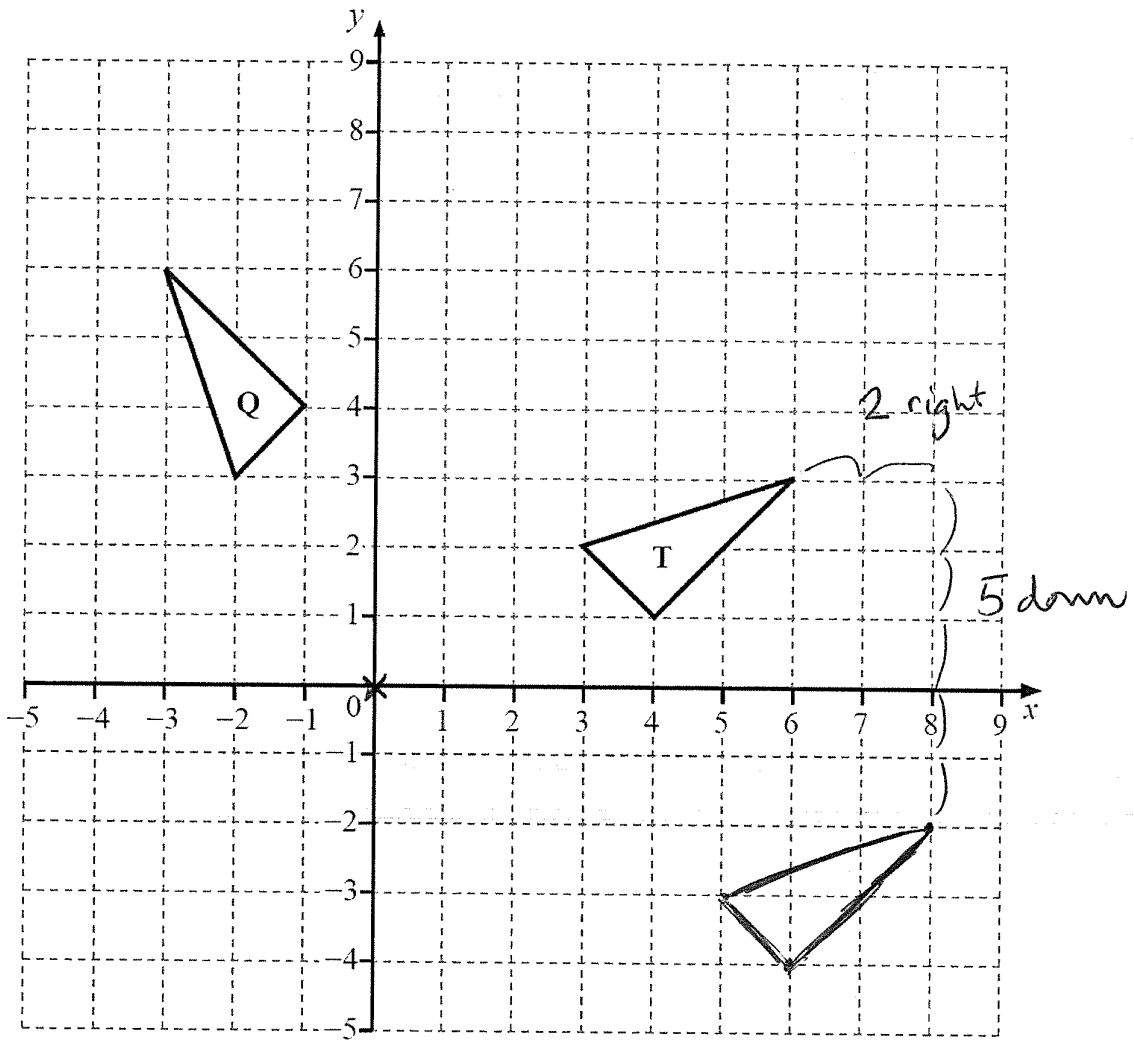
$$x = 48^\circ$$

Answer \_\_\_\_\_  $^\circ$  [2]

- (b) Make an accurate drawing of the triangle sketched below.



[3]



(a) Describe fully the **single** transformation which maps triangle T onto triangle Q.

Answer ROTATION 90° CLOCKWISE around (0,0) [3]  
 ▲mark                      ▲mark                      ▲mark

(b) On the grid, draw the image of triangle T after a translation  $\begin{pmatrix} 2 \\ -5 \end{pmatrix}$ . [2]

